

Coffee System
TANGO BTC, Super automatic Brewed
Coffee maker for drip/French press,
pour over style coffee drinks

ITEM # _____

MODEL # _____

NAME # _____

SIS # _____

AIA # _____


602563 (TANGOBTC)

Super full-automatic Brewed Coffee maker for drip / French press and pourover style coffee drinks, 1 group, 65x355 ml brewed coffee cup/hr, 6,5 liter steam/coffee boiler, 2 coffee grinders, 1x1,7 kg and 1x1,2 kg coffee grinders, PID temperature control

Short Form Specification

Item No. _____

The super automatic coffee machine Tango® Bean to Cup is a high-end coffee maker delivering high quality drip coffee. It takes up a 7" color touch screen user interface to control intuitively the TANGO® group head recognized for its exceptional coffee extraction quality. It aims to automatically prepare brewed coffee as the french press method, and other pour over style coffee drinks.

Delivery Capacity :
 Brew coffee 355ml : 65 cups/h

Main Features

- Delivery Capacity:
 12oz : 65 cups/h
 16 oz : 40 cups/h
 20 oz : 35 cups/h
- Delivery Capacity:
 Brew coffee 355ml: 65 cups/h
- 1 group full-automatic machine.
- 6.5 liter steam/coffee boiler.
- 65 x 355 ml brewed coffee cup/hr.
- It takes up a 7" color touch screen user interface to control intuitively the TANGO® group head recognized for its exceptional coffee extraction quality. It aims to automatically prepare brewed coffee as the french press method, and other pour over style coffee drinks.
- Super automatic Brewed Coffee maker for drip / French press and pour over style coffee drinks.
- The super automatic coffee machine Tango® Bean to Cup is a high-end coffee maker delivering high quality drip coffee.

Construction

- 2 coffee grinders (1 x 1,7 kg & 1 x 1,2 kg coffee hoppers).

Optional Accessories

- Raised feet kit PNC 871005
- Side milk refrigerator 8 liter nominal capacity for up to 4 liter milk containers PNC 871014
- Side milk refrigerator 8 liter nominal capacity for up to 4 liter milk containers with digital display PNC 871015
- TANGO hotel/breakfast service kit PNC 871022
- Coffee ground direct discharge chute PNC 871023

APPROVAL: _____

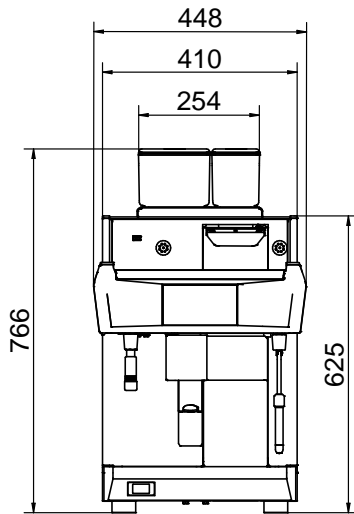
TANGO BTC, Super automatic Brewed Coffee maker for drip/French press, pour over style coffee drinks



Electrolux
PROFESSIONAL

Coffee System
TANGO BTC, Super automatic Brewed Coffee
maker for drip/French press, pour over style
coffee drinks

Front



Electric

Supply voltage:
602563 (TANGOBTC) 400 V/3N ph/50 Hz
Electrical power max.: 5.2 kW
Current consumption: 14.5 Amps
Plug type: Cable without plug

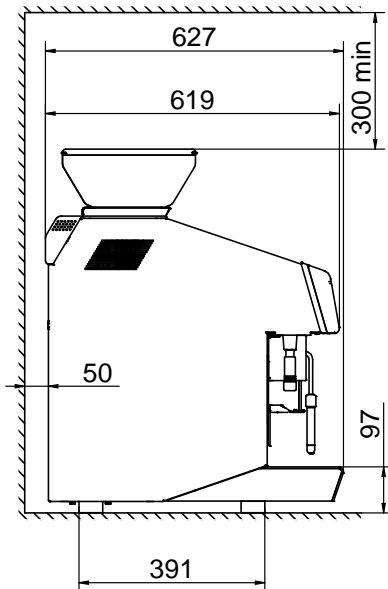
Water:

Cold water temperature
(min/max): 5 / 60 °C

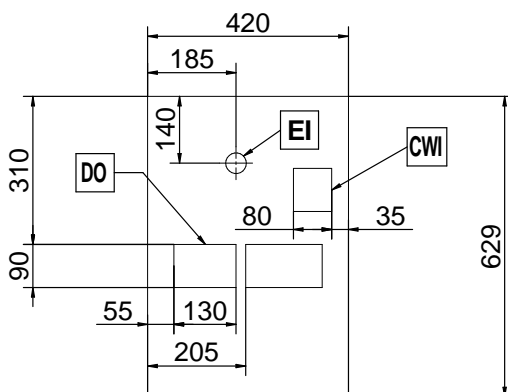
Key Information:

External dimensions, Width: 448 mm
External dimensions, Depth: 627 mm
External dimensions, Height: 766 mm
Net weight: 89 kg
Shipping volume: 0.69 m³

Side



Top



Coffee System
TANGO BTC, Super automatic Brewed Coffee maker for drip/French
press, pour over style coffee drinks
The company reserves the right to make modifications to the products
without prior notice. All information correct at time of printing.